

Technical Data Sheet

Product Code

MTD3+MT4K1 - Constituent parts
MTD4 - 4 compartment assembly

Product Description

Apollo - Apollo 4 Compartment Perimeter Trunking

Product Dimensions

257 x 50mm Profile
3 Metre Length



Applicable Standards:

BS6701 (Telecommunications equipment and cabling)
ISO/IEC 11801 (ED2.0 Amd 2) (Generic cabling for customers premises)
Cenlec (BSEN50173 Part 1/2, BSEN50174-2) (Generic cabling and installation)
BS4678 Pt 4 (Cable Trunking)
BS7671 (IEE Regulations) (Wiring Regulations)

Product Specification:

Description: 4 compartment perimeter trunking for Dado mounting
Created by adding the MT4K1 kit to MTD3

Material Compliance: RoHS & WEEE Compliant

Manufactured: Extruded from Pellets

Material Specification:(if applicable)

Description: A Calcium/Zinc stabilised, medium/
high impact uPVC

PROPERTY	Standard	UNITS	VALUE
Specific Gravity	BS2782 620A	g/cc	1.50
Vicat Softening Point	BS2782 (B50) 1990 120B	°C	78
Tensile Strength @ Yield	BS2782 320A-F	MPa	40

The above are typical test results and do not constitute any part of a specification

Colours:

MTD4 - Pure White
MTD4LG - Light Grey
MTD4CH - Charcoal

MTD4LGL - Light Grey centre lid
MTD4CHL - Charcoal centre lid

Additional Finishes:

MTD4AM - Anti-Microbial

Base:

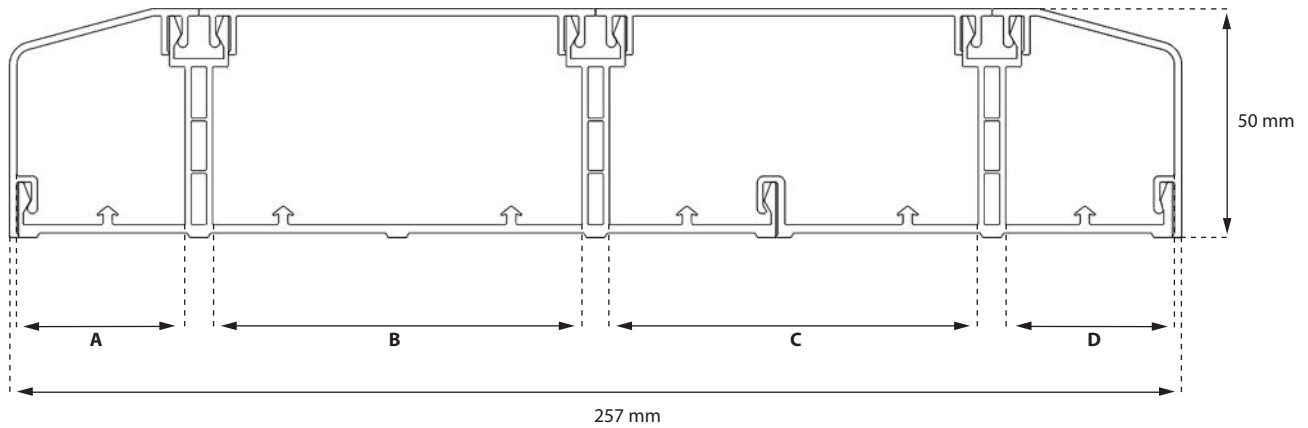
Pre Punched for wall mounting at 200mm intervals

Screening:

MTAS - Slide in steel screening divider top and bottom

Technical Data Sheet

Dimensions and Cable Capacities



Compartment width in (mm)

A	B	C	D
37	81	81	37

Data

DATA CABLE DIAMETER (mm)	NOMINAL CSA (mm ²)	COMPARTMENT A 1470mm ²	COMPARTMENT B AND C			COMPARTMENT D 1470mm ²
			3590mm ²	3590mm ² and 25mm back box (1891mm ²)	3590mm ² and 35mm back box (1170mm ²)	
		45% Fill (661.5mm ²)	45% Fill (1615.5mm ²)	45% Fill (851mm ²)	45% Fill (526mm ²)	45% Fill (661.5mm ²)
5	19.6	33	82	43	26	33
5.5	23.8	27	67	35	22	27
6	28.3	23	57	30	18	23
6.5	33.2	19	48	25	15	19
7	38.5	17	41	22	13	17

Power

POWER CABLE CONDUCTOR CSA(mm ²)	CABLE FACTOR	COMPARTMENT A 1470mm ²	COMPARTMENT B AND C			COMPARTMENT D 1040mm ²
			3590mm ²	3590mm ² and 25mm back box (1891mm ²)	3590mm ² and 35mm back box (1170mm ²)	
		45% Fill (661.5mm ²)	45% Fill (1615.5mm ²)	45% Fill (851mm ²)	45% Fill (526mm ²)	45% Fill (661.5mm ²)
1.5	8.6	76	187	98	61	76
2.5	12.6	51	126	67	41	51
4	16.6	39	97	51	31	39
6	21.2	31	76	40	25	31

Technical Data Sheet

Product Code

MTS3+MT4K1 - Constituent parts
MTS4 - 4 compartment skirting assembly

Product Description

Apollo - 4 Compartment skirting perimeter trunking

Product Dimensions

257 x 50mm Profile
3 Metre Length



Applicable Standards:

BS6701 (Telecommunications equipment and cabling)
ISO/IEC 11801 (ED2.0 Amd 2) (Generic cabling for customers premises)
Cenlec (BSEN50173 Part 1/2, BSEN50174-2) (Generic cabling and installation)
BS4678 Pt 4 (Cable Trunking)
BS7671 (IEE Regulations) (Wiring Regulations)

Product Specification:

Description: 4 compartment, skirting perimeter trunking
Created by adding the MT4K1 kit to MTS3
Material Compliance: RoHS & WEEE Compliant
Manufactured: Extruded from Pellets

Material Specification:(if applicable)

Description: A Calcium/Zinc stabilised, medium/
high impact uPVC

PROPERTY	Standard	UNITS	VALUE
Specific Gravity	BS2782 620A	g/cc	1.50
Vicat Softening Point	BS2782 (B50) 1990 120B	°C	78
Tensile Strength @ Yield	BS2782 320A-F	MPa	40

The above are typical test results and do not constitute any part of a specification

Colours:

MTS4 - Pure White
MTS4LG - Light Grey
MTS4CH - Charcoal
MTS4LGL - Light Grey centre lid
MTS4CHL - Charcoal centre lid

Additional Finishes:

MTS4AM - Anti-Microbial

Base:

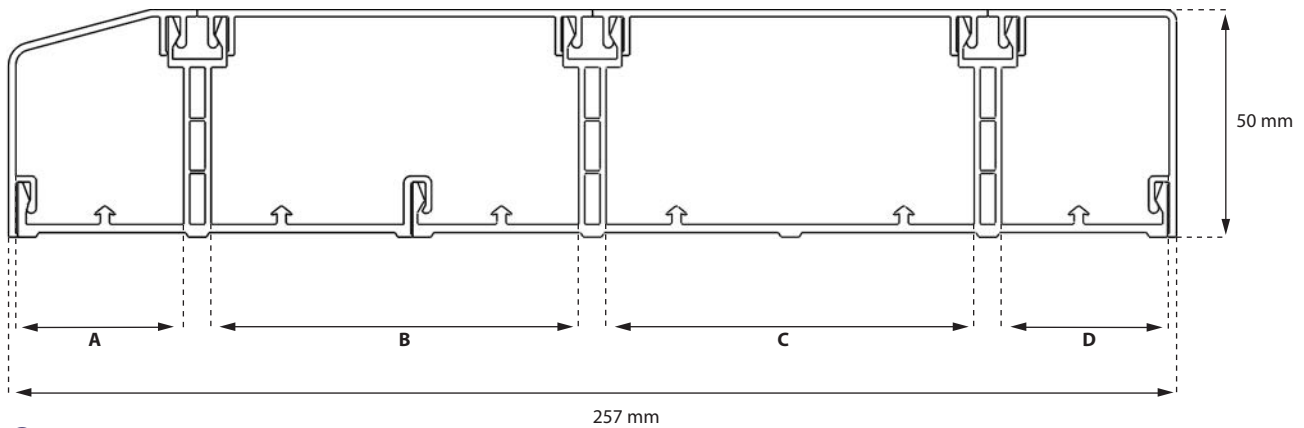
Pre Punched for surface mounting at 200 mm intervals

Screening:

MTAS - Screening divider for top and bottom, double sided tape provided for fixing

Technical Data Sheet

Dimensions and Cable Capacities



Compartment width in (mm)

A	B	C	D
37	81	81	37

Data

DATA CABLE DIAMETER (mm)	NOMINAL CSA (mm ²)	COMPARTMENT A 1470mm ²	COMPARTMENT B AND C			COMPARTMENT D 1591mm ²
			3590mm ²	3590mm ² and 25mm back box (1891mm ²)	3590mm ² and 35mm back box (1170mm ²)	
		45% Fill (661.5mm ²)	45% Fill (1615.5mm ²)	45% Fill (851mm ²)	45% Fill (526mm ²)	45% Fill (716mm ²)
5	19.6	33	82	43	26	36
5.5	23.8	27	67	35	22	30
6	28.3	23	57	30	18	25
6.5	33.2	19	48	25	15	21
7	38.5	17	41	22	13	18

Power

POWER CABLE CONDUCTOR CSA(mm ²)	CABLE FACTOR	COMPARTMENT A 1595mm ²	COMPARTMENT B AND C			COMPARTMENT D 1591mm ²
			3590mm ²	3590mm ² and 25mm back box (1891mm ²)	3590mm ² and 35mm back box (1170mm ²)	
		45% Fill (716mm ²)	45% Fill (1615.5mm ²)	45% Fill (851mm ²)	45% Fill (526mm ²)	45% Fill (716mm ²)
1.5	8.6	76	187	98	61	83
2.5	12.6	51	126	67	41	55
4	16.6	39	97	51	31	43
6	21.2	31	76	40	25	33

Technical Data Sheet

Product Code

MTDQ3+MT4K1 - Constituent parts

MTDQ4 - 4 compartment square assembly

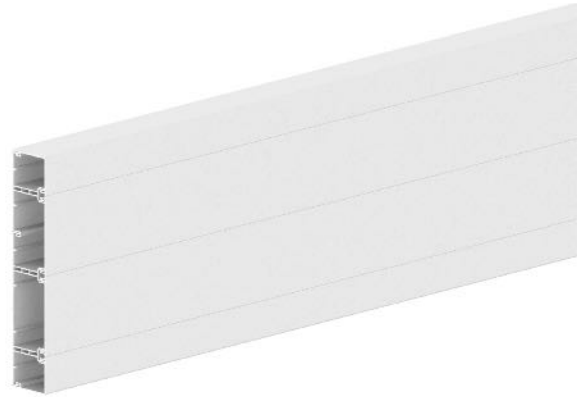
Product Description

Apollo - 4 Compartment square perimeter trunking

Product Dimensions

257 x 50mm Profile

3 Metre Length



Applicable Standards:

BS6701 (Telecommunications equipment and cabling)
ISO/IEC 11801 (ED2.0 Amd 2) (Generic cabling for customers premises)
Cenlec (BSEN50173 Part 1/2, BSEN50174-2) (Generic cabling and installation)
BS4678 Pt 4 (Cable Trunking)
BS7671 (IEE Regulations) (Wiring Regulations)

Product Specification:

Description: 4 compartment, square perimeter trunking
Created by adding the MT4K1 kit to MTDQ3

Material Compliance: RoHS & WEEE Compliant

Manufactured: Extruded from Pellets

Material Specification:(if applicable)

Description: A Calcium/Zinc stabilised, medium/
high impact uPVC

PROPERTY	Standard	UNITS	VALUE
Specific Gravity	BS2782 620A	g/cc	1.50
Vicat Softening Point	BS2782 (B50) 1990 120B	°C	78
Tensile Strength @ Yield	BS2782 320A-F	MPa	40

The above are typical test results and do not constitute any part of a specification

Colours:

MTDQ4 - Pure White
MTDQ4LG - Light Grey
MTDQ4CH - Charcoal

MTDQ4LGL - Light Grey centre lid
MTDQ4CHL - Charcoal centre lid

Additional Finishes:

MTDQ4AM - Anti-Microbial

Base:

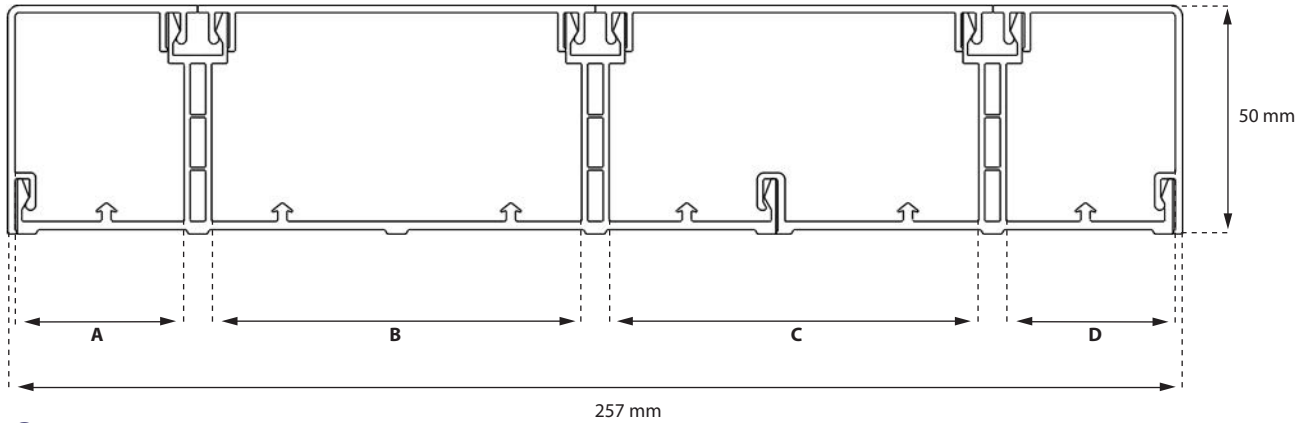
Pre Punched for surface mounting at 200mm intervals

Screening:

MTAS - Screening divider for top and bottom, Double sided tape provided for fixing

Technical Data Sheet

Dimensions and Cable Capacities



Compartment width in (mm)

A	B	C	D
37	81	81	37

Data

DATA CABLE DIAMETER (mm)	NOMINAL CSA (mm ²)	COMPARTMENT A 1595mm ²	COMPARTMENT B AND C			COMPARTMENT D 1595mm ²
			3590mm ²	3590mm ² and 25mm back box (1891mm ²)	3590mm ² and 35mm back box (1170mm ²)	
		45% Fill (716mm ²)	45% Fill (1615.5mm ²)	45% Fill (851mm ²)	45% Fill (526mm ²)	45% Fill (716mm ²)
5	19.6	36	82	43	26	36
5.5	23.8	30	67	35	22	30
6	28.3	25	57	30	18	25
6.5	33.2	21	48	25	15	21
7	38.5	18	41	22	13	18

Power

POWER CABLE CONDUCTOR CSA(mm ²)	CABLE FACTOR	COMPARTMENT A 1595mm ²	COMPARTMENT B AND C			COMPARTMENT D 1595mm ²
			3590mm ²	3590mm ² and 25mm back box (1891mm ²)	3590mm ² and 35mm back box (1170mm ²)	
		45% Fill (716mm ²)	45% Fill (1615.5mm ²)	45% Fill (851mm ²)	45% Fill (526mm ²)	45% Fill (716mm ²)
1.5	8.6	83	187	98	61	83
2.5	12.6	55	126	67	41	55
4	16.6	43	97	51	31	43
6	21.2	33	76	40	25	33