

Earthing Installation Declaration

Applicable Products:

Steel Wire Cable Trays and Fittings

Earth / Grounding Network:

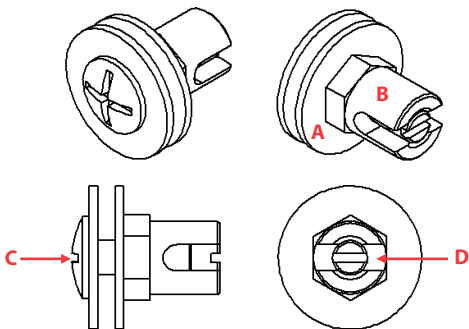
To earth a network, all metallic components within a system such as beams, conduits and cable trays must interconnect to ensure the highest earth equipotential performance possible. If systems are correctly earthed through the metallic components this provides protection for surrounding people and property and satisfactory EMC performance levels.

Ensuring the safest installation method, SWCT must be connected to an earth network every 15m.

If the SWCT system is shorter than 15m, each end of the SWCT must be connected to the earth.

MCET16: Earthing Terminal

Marco's MCET16 earthing terminal is designed for safe earthing for long cable containments. To be used with protective conducting wire not exceeding a **CSA of 16mm²**.



Material:

- A - Ø8.4 X Ø33 X 2MM Aluminium Washer
 - B - 17mm A/F Brass M8 & M10 Threaded Boss
 - C - M8 X 1.25 X 15MM Brass Mushroom Head Bolt
 - D - M10 X 1.5 X 7mm Brass Slotted Grub Screw
-

For and on behalf of the manufacturer:

Signature:

Grahame Austin - Operations Manager

Signed at: Marco Cable Management on: 13th August 2017
