

Technical Data Sheet

Product Code

MTBU1

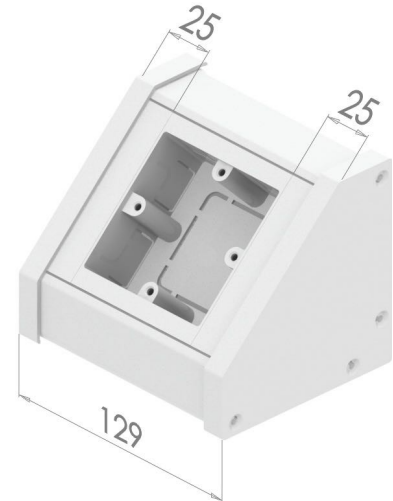
Product Description

Bench Trunking Unit 1-Gang

Product Dimensions

100 x 100 mm Profile

129 mm width



Applicable Standards:

BS6701 (Telecommunications equipment and cabling)
ISO/IEC 11801 (ED2.0 Amd 2) (Generic cabling for customers premises)
Cenlec (BSEN50173 Part 1/2, BSEN50174-2) (Generic cabling and installation)
BS4678 Pt 4 (Cable Trunking)
BS7671 (IEE Regulations) (Wiring Regulations)

Product Specification:

Description: Aluminium bench trunking unit 1-gang, uPVC lid
Material Compliance: RoHS & WEEE Compliant
Manufactured: Fabricated part

Material Specification:(if applicable)

Aluminium Alloy EN-AW 6063

Cu	Si	Mn	Fe	Mg	Cr	Zn	Ti	Others		Al
								Each	Total	
0.10%	0.2-0.6%	0.10%	0.35%	0.45-0.9%	0.10%	0.10%	0.10%	0.05%	0.15%	Rest

Yield Strength	130 MPa
Tensile Strength	175 MPa
Elongation	8%

Colours:

MTBU1 - Aluminium body
MTBU1W - White powder-coated aluminium body

Technical Data Sheet

Product Code

MTBU1-BB

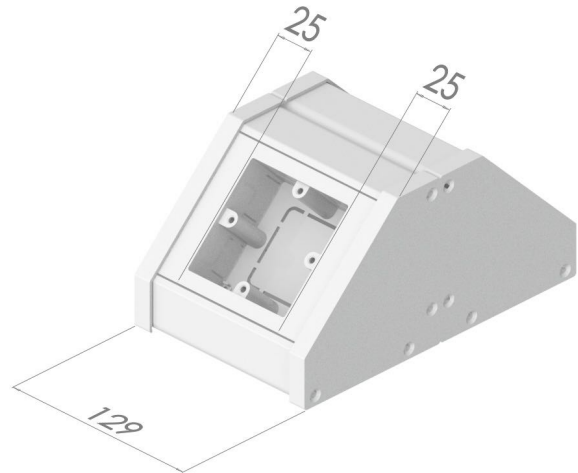
Product Description

Back to back Bench Trunking Unit 1-Gang

Product Dimensions

200 x 100 mm Profile

129 mm width



Applicable Standards:

BS6701 (Telecommunications equipment and cabling)
ISO/IEC 11801 (ED2.0 Amd 2) (Generic cabling for customers premises)
Cenlec (BSEN50173 Part 1/2, BSEN50174-2) (Generic cabling and installation)
BS4678 Pt 4 (Cable Trunking)
BS7671 (IEE Regulations) (Wiring Regulations)

Product Specification:

Description: Aluminium Back to back bench trunking unit 1-gang, uPVC lid
Material Compliance: RoHS & WEEE Compliant
Manufactured: Fabricated part

Material Specification:(if applicable)

Aluminium Alloy EN-AW 6063

Cu	Si	Mn	Fe	Mg	Cr	Zn	Ti	Others		Al
								Each	Total	
0.10%	0.2-0.6%	0.10%	0.35%	0.45-0.9%	0.10%	0.10%	0.10%	0.05%	0.15%	Rest

Yield Strength	130 MPa
Tensile Strength	175 MPa
Elongation	8%

Colours:

MTBU1-BB - Aluminium body
MTBU1-BBW - White powder-coated aluminium body

Technical Data Sheet

Product Code

MTBU2

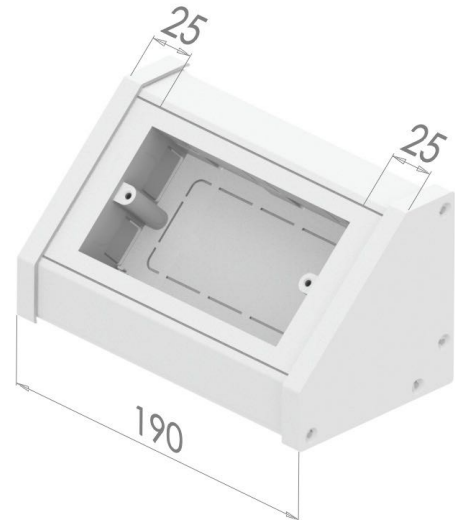
Product Description

Bench Trunking Unit 2-Gang

Product Dimensions

100 x 100 mm Profile

190 mm width



Applicable Standards:

BS6701 (Telecommunications equipment and cabling)
ISO/IEC 11801 (ED2.0 Amd 2) (Generic cabling for customers premises)
Cenlec (BSEN50173 Part 1/2, BSEN50174-2) (Generic cabling and installation)
BS4678 Pt 4 (Cable Trunking)
BS7671 (IEE Regulations) (Wiring Regulations)

Product Specification:

Description: Aluminium bench trunking unit 2-gang, uPVC lid
Material Compliance: RoHS & WEEE Compliant
Manufactured: Fabricated part

Material Specification:(if applicable)

Aluminium Alloy EN-AW 6063

Cu	Si	Mn	Fe	Mg	Cr	Zn	Ti	Others		Al
								Each	Total	
0.10%	0.2-0.6%	0.10%	0.35%	0.45-0.9%	0.10%	0.10%	0.10%	0.05%	0.15%	Rest

Yield Strength	130 MPa
Tensile Strength	175 MPa
Elongation	8%

Colours:

MTBU2 - Aluminium body
MTBU2W - White powder-coated aluminium body

Technical Data Sheet

Product Code

MTBU2-BB

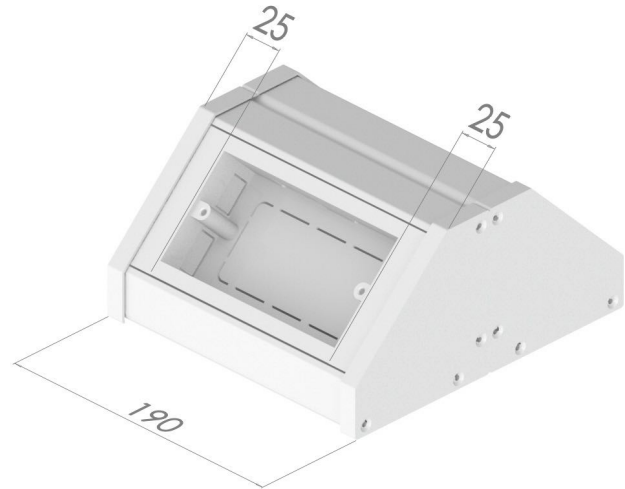
Product Description

Back to back Bench Trunking Unit 2-Gang

Product Dimensions

200 x 100 mm Profile

190 mm width



Applicable Standards:

BS6701 (Telecommunications equipment and cabling)
ISO/IEC 11801 (ED2.0 Amd 2) (Generic cabling for customers premises)
Cenlec (BSEN50173 Part 1/2, BSEN50174-2) (Generic cabling and installation)
BS4678 Pt 4 (Cable Trunking)
BS7671 (IEE Regulations) (Wiring Regulations)

Product Specification:

Description: Aluminium bench trunking unit 2-gang, uPVC lid
Material Compliance: RoHS & WEEE Compliant
Manufactured: Fabricated part

Material Specification:(if applicable)

Aluminium Alloy EN-AW 6063

Cu	Si	Mn	Fe	Mg	Cr	Zn	Ti	Others		Al
								Each	Total	
0.10%	0.2-0.6%	0.10%	0.35%	0.45-0.9%	0.10%	0.10%	0.10%	0.05%	0.15%	Rest

Yield Strength	130 MPa
Tensile Strength	175 MPa
Elongation	8%

Colours:

MTBU2-BB - Aluminium body
MTBU2-BBW - White powder-coated aluminium body

Technical Data Sheet

Product Code

MTBU3

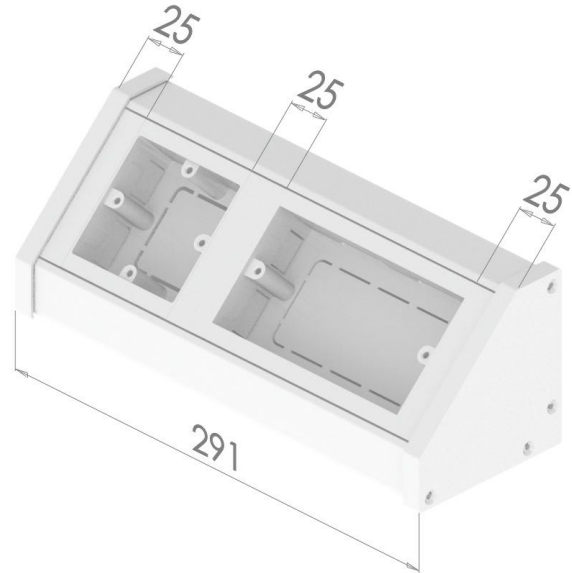
Product Description

Bench Trunking Unit 3-Gang

Product Dimensions

100 x 100 mm Profile

291 mm width



Applicable Standards:

BS6701 (Telecommunications equipment and cabling)
ISO/IEC 11801 (ED2.0 Amd 2) (Generic cabling for customers premises)
Cenlec (BSEN50173 Part 1/2, BSEN50174-2) (Generic cabling and installation)
BS4678 Pt 4 (Cable Trunking)
BS7671 (IEE Regulations) (Wiring Regulations)

Product Specification:

Description: Aluminium bench trunking unit 3-gang, uPVC lid
Material Compliance: RoHS & WEEE Compliant
Manufactured: Fabricated part

Material Specification:(if applicable)

Aluminium Alloy EN-AW 6063

Cu	Si	Mn	Fe	Mg	Cr	Zn	Ti	Others		Al
								Each	Total	
0.10%	0.2-0.6%	0.10%	0.35%	0.45-0.9%	0.10%	0.10%	0.10%	0.05%	0.15%	Rest

Yield Strength	130 MPa
Tensile Strength	175 MPa
Elongation	8%

Colours:

MTBU3 - Aluminium body
MTBU3W - White powder-coated aluminium body

Technical Data Sheet

Product Code

MTBU3-BB

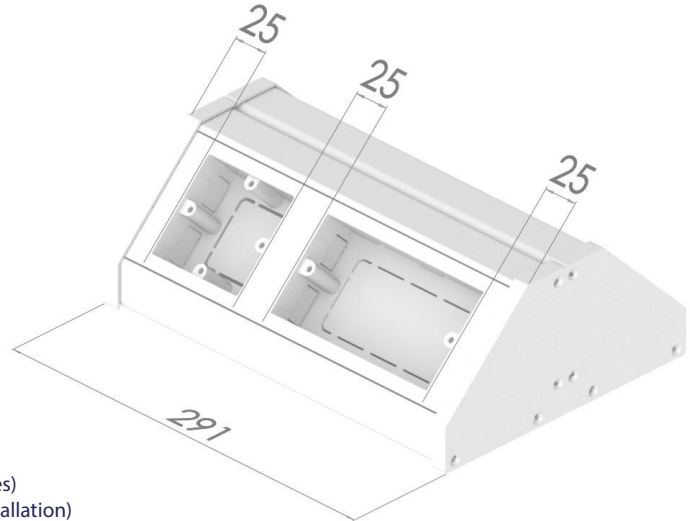
Product Description

Back to back Bench Trunking Unit 3-Gang

Product Dimensions

200 x 100 mm Profile

291 mm width



Applicable Standards:

BS6701 (Telecommunications equipment and cabling)
ISO/IEC 11801 (ED2.0 Amd 2) (Generic cabling for customers premises)
Cenlec (BSEN50173 Part 1/2, BSEN50174-2) (Generic cabling and installation)
BS4678 Pt 4 (Cable Trunking)
BS7671 (IEE Regulations) (Wiring Regulations)

Product Specification:

Description: Aluminium back to back bench trunking unit 3-gang, uPVC lid
Material Compliance: RoHS & WEEE Compliant
Manufactured: Fabricated part

Material Specification:(if applicable)

Aluminium Alloy EN-AW 6063

Cu	Si	Mn	Fe	Mg	Cr	Zn	Ti	Others		Al
								Each	Total	
0.10%	0.2-0.6%	0.10%	0.35%	0.45-0.9%	0.10%	0.10%	0.10%	0.05%	0.15%	Rest

Yield Strength	130 MPa
Tensile Strength	175 MPa
Elongation	8%

Colours:

MTBU3-BB - Aluminium body
MTBU3-BBW - White powder-coated aluminium body

Technical Data Sheet

Product Code

MTBU4

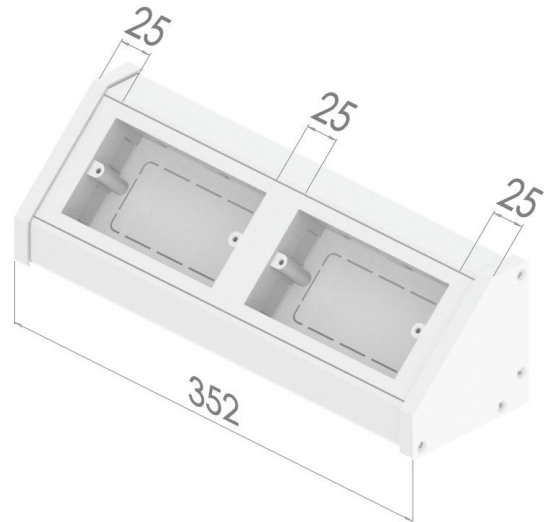
Product Description

Bench Trunking Unit 4-Gang

Product Dimensions

100 x 100 mm Profile

352 mm width



Applicable Standards:

BS6701 (Telecommunications equipment and cabling)
ISO/IEC 11801 (ED2.0 Amd 2) (Generic cabling for customers premises)
Cenlec (BSEN50173 Part 1/2, BSEN50174-2) (Generic cabling and installation)
BS4678 Pt 4 (Cable Trunking)
BS7671 (IEE Regulations) (Wiring Regulations)

Product Specification:

Description: Aluminium bench trunking unit 4-gang, uPVC lid

Material Compliance: RoHS & WEEE Compliant

Manufactured: Fabricated part

Material Specification:(if applicable)

Aluminium Alloy EN-AW 6063

Cu	Si	Mn	Fe	Mg	Cr	Zn	Ti	Others		Al
								Each	Total	
0.10%	0.2-0.6%	0.10%	0.35%	0.45-0.9%	0.10%	0.10%	0.10%	0.05%	0.15%	Rest

Yield Strength	130 MPa
Tensile Strength	175 MPa
Elongation	8%

Colours:

MTBU4 - Aluminium body

MTBU4W - White powder-coated aluminium body

Technical Data Sheet

Product Code

MTBU4-BB

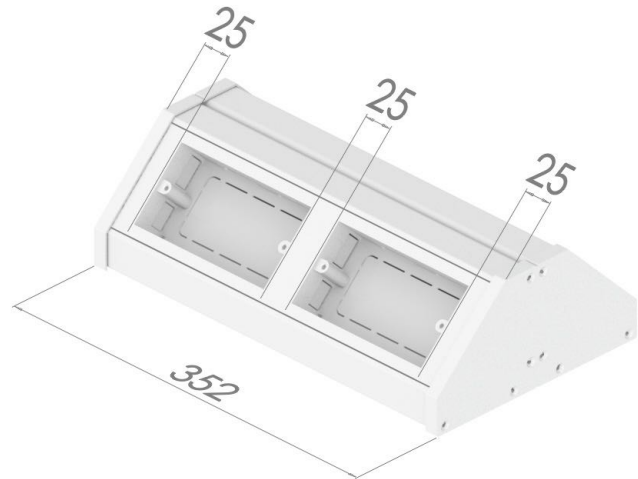
Product Description

Back to back Bench Trunking Unit 4-Gang

Product Dimensions

200 x 100 mm Profile

352 mm width



Applicable Standards:

BS6701 (Telecommunications equipment and cabling)
ISO/IEC 11801 (ED2.0 Amd 2) (Generic cabling for customers premises)
Cenlec (BSEN50173 Part 1/2, BSEN50174-2) (Generic cabling and installation)
BS4678 Pt 4 (Cable Trunking)
BS7671 (IEE Regulations) (Wiring Regulations)

Product Specification:

Description: Aluminium back to back bench trunking unit 4-gang, uPVC lid
Material Compliance: RoHS & WEEE Compliant
Manufactured: Fabricated part

Material Specification:(if applicable)

Aluminium Alloy EN-AW 6063

Cu	Si	Mn	Fe	Mg	Cr	Zn	Ti	Others		Al
								Each	Total	
0.10%	0.2-0.6%	0.10%	0.35%	0.45-0.9%	0.10%	0.10%	0.10%	0.05%	0.15%	Rest

Yield Strength	130 MPa
Tensile Strength	175 MPa
Elongation	8%

Colours:

MTBU4-BB - Aluminium body
MTBU4-BBW - White powder-coated aluminium body