

Technical Data Sheet

Product Code

MCFB370
MCFB470

Product Description

MCFB370 - Cavity floor box 70 mm 3 comp
MCFB470 - Cavity floor box 70 mm 4 comp

Product Dimensions

300 x 205 x 70 mm

Utilisation:

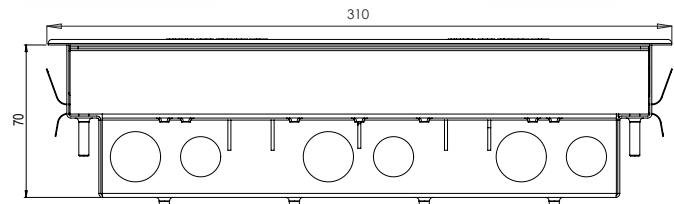
Reversible & interchangeable lid, integral moulded lifting-handle, Pre-fitted dividing fillets, Openings lined with soft sponge for cable protection

Applicable Standards:

BS EN 60670 (Boxes and enclosures for electrical accessories)

Product Specification:

Manufactured: Punched from sheet steel
Product description: 6 mm recess for floor covering
20 & 25 mm knockouts to accept all types of conduit
2 cable outlets providing 60 x 15 mm openings
4 x spring fixing-clips for quick and secure fit



Material Specification:(if applicable)

Galv-DX51D-Z2v75-M-A-CE:

Fe	Mn	Al	Si	P	Nb	Ti
95%	1.7%	2%	0.6%	0.1%	0.09%	0.3%

Yield Strength	-	Test method	IEC 60068-2-75
Tensile Strength	270 - 500 MPa	Test reference	TR11.1
Elongation	≥ 22%		

A Calcium/Zinc stabilised, medium/high impact uPVC:

Typical Properties	Test Method	Units	PA-766B
Tensile Strength	ASTM D-638	kg/cm ²	400
Flexural Strength	ASTM D-790	kg/cm ²	650
IZOD Impact Strength	ASTM D-256	kg-cm/cm	25
Vicat Softening Temp	ASTM D-1525	XC	92
Melt Flow Index	ASTM D-1238	200XC, 5kg g/10min (cond.G)	4.2
Flammability	UL-94	File NO E56070 UL & C-UL	1/10" V-0 1/8" 5VA

The above are typical test results and do not constitute any part of a specification

Technical Data Sheet

Product Code

MCFB3100
MCFB4100

Product Description

MCFB3100 - Cavity floor box 100 mm 3 comp
MCFB4100 - Cavity floor box 100 mm 4 comp

Product Dimensions

300 x 205 x 100 mm

Utilisation:

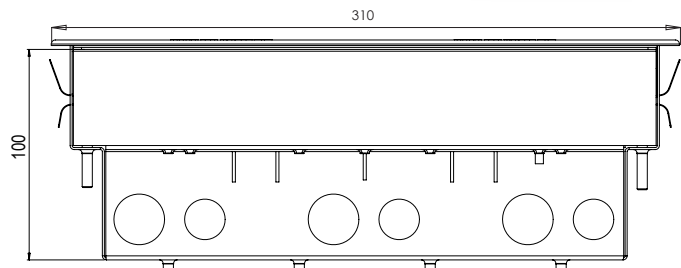
Reversible & interchangeable lid, integral moulded lifting-handle, Pre-fitted dividing fillets, Openings lined with soft sponge for cable protection

Applicable Standards:

BS EN 60670 (Boxes and enclosures for electrical accessories)

Product Specification:

Manufactured: Punched from sheet steel
Product description: 6 mm recess for floor covering
20 & 25 mm knockouts to accept all types of conduit
2 cable outlets providing 60 x 15 mm openings
4 x spring fixing-clips for quick and secure fit



Material Specification:(if applicable)

Galv-DX51D-Z2v75-M-A-CE:

Fe	Mn	Al	Si	P	Nb	Ti
95%	1.7%	2%	0.6%	0.1%	0.09%	0.3%

Yield Strength	-	Test method	IEC 60068-2-75
Tensile Strength	270 - 500 MPa	Test reference	TR11.1
Elongation	≥ 22%		

A Calcium/Zinc stabilised, medium/high impact uPVC:

Typical Properties	Test Method	Units	PA-766B
Tensile Strength	ASTM D-638	kg/cm ²	400
Flexural Strength	ASTM D-790	kg/cm ²	650
IZOD Impact Strength	ASTM D-256	kg-cm/cm	25
Vicat Softening Temp	ASTM D-1525	XC	92
Melt Flow Index	ASTM D-1238	200XC, 5kg g/10min (cond.G)	4.2
Flammability	UL-94	File NO E56070 UL & C-UL	1/10" V-0 1/8" 5VA

The above are typical test results and do not constitute any part of a specification

Technical Data Sheet

Product Code

MCFB3130
MCFB4130

Product Description

MCFB3130 - Cavity floor box 130 mm 3 comp
MCFB4130 - Cavity floor box 130 mm 4 comp

Product Dimensions

300 x 205 x 130 mm

Utilisation:

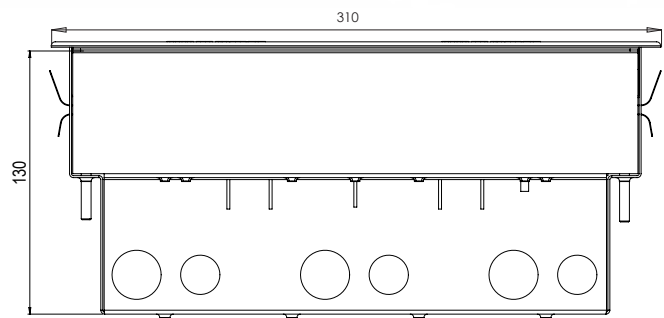
Reversible & interchangeable lid, integral moulded lifting-handle, Pre-fitted dividing fillets, Openings lined with soft sponge for cable protection

Applicable Standards:

BS EN 60670 (Boxes and enclosures for electrical accessories)

Product Specification:

Manufactured: Punched from sheet steel
Product description: 6 mm recess for floor covering
20 & 25 mm knockouts to accept all types of conduit
2 cable outlets providing 60 x 15 mm openings
4 x spring fixing-clips for quick and secure fit



Material Specification:(if applicable)

Galv-DX51D-Z2v75-M-A-CE:

Fe	Mn	Al	Si	P	Nb	Ti
95%	1.7%	2%	0.6%	0.1%	0.09%	0.3%

Yield Strength	-	Test method	IEC 60068-2-75
Tensile Strength	270 - 500 MPa	Test reference	TR11.1
Elongation	≥ 22%		

A Calcium/Zinc stabilised, medium/high impact uPVC:

Typical Properties	Test Method	Units	PA-766B
Tensile Strength	ASTM D-638	kg/cm ²	400
Flexural Strength	ASTM D-790	kg/cm ²	650
IZOD Impact Strength	ASTM D-256	kg-cm/cm	25
Vicat Softening Temp	ASTM D-1525	XC	92
Melt Flow Index	ASTM D-1238	200XC, 5kg g/10min (cond.G)	4.2
Flammability	UL-94	File NO E56070 UL & C-UL	1/10" V-0 1/8" 5VA

The above are typical test results and do not constitute any part of a specification