

Technical Data Sheet

Product Code:

MM1
MMS1

Product Description:

Mini Trunking - Size 1, standard or self-adhesive



Product Dimensions:

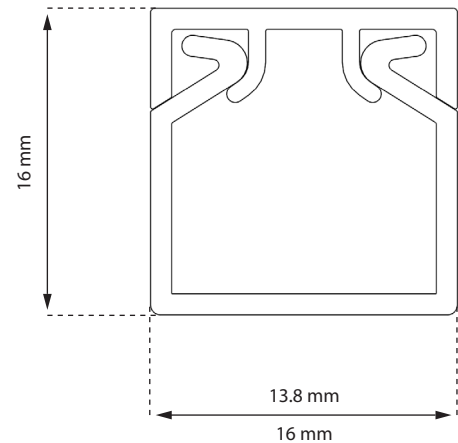
16 x 16 mm profile
3 metre length

Applicable Standards:

BS6701 (Telecommunications equipment and cabling)
ISO/IEC 11801 (ED2.0 Amd 2) (Generic cabling for customers premises)
ANSI/TIA/EIA 568B (Telecommunication cabling)
BS4678 Pt 4 (Cable Trunking)
BS7671 (IEE Regulations) (Wiring Regulations)

Product Specification:

Description: 1 compartment mini perimeter trunking
Material Compliance: RoHS & WEEE Compliant
Manufactured: Extruded from pellets



Material Specification:(if applicable)

Description: A Calcium/Zinc stabilised, medium/
high impact uPVC.

PROPERTY	Standard	UNITS	VALUE
Density	ISO 1183-1	kg/m ²	1425
Vicat Softening Point	BS2782 (B50) 1990 120B	°C	75
Tensile Strength @ Yield	BS2782 320A-F	MPa	48.5
Elongation at break	ISO R527	%	40
Flexural Strength	ISO 178	MPa	67
Flexural Modulus	ISO 178	GPa	2.5
Izod Impat Strength @ 23°C	ISO 180	KJ/m ²	9
Melt Flow Index	ASTM D1238	g/10min	45

The above are typical test results and do not constitute any part of a specification

Colours:

MM1 - Pure White

Additional Features:

MMS1 - Self adhesive