

# Technical Data Sheet

## Product Code

ME3

## Product Description

Elite 3 - 3 Compartment Perimeter Trunking

## Product Dimensions

175 x 60mm Profile

3 Metre Length



## Applicable Standards:

BS6701 (Telecommunications equipment and cabling)  
ISO/IEC 11801 (ED2.0 Amd 2) (Generic cabling for customers premises)  
Cenlec (BSEN50173 Part 1/2, BSEN50174-2) (Generic cabling and installation)  
BS4678 Pt 4 (Cable Trunking)  
BS7671 (IEE Regulations) (Wiring Regulations)

## Product Specification:

Description: 3 Compartment Perimeter Trunking  
Material Compliance: RoHS & WEEE Compliant  
Manufactured: Extruded from Pellets

## Material Specification:(if applicable)

Description: A Calcium/Zinc stabilised, medium/  
high impact uPVC

PROPERTY	Standard	UNITS	VALUE
Specific Gravity	BS2782 620A	g/cc	1.50
Vicat Softening Point	BS2782 (B50) 1990 120B	°C	78
Tensile Strength @ Yield	BS2782 320A-F	MPa	40

The above are typical test results and do not constitute any part of a specification

## Colours:

ME3 - Pure White  
ME3LG - Light Grey  
ME3CH - Charcoal

## Additional Finishes:

ME3AM - Anti-Microbial

## Base:

Pre Punched for wall mounting 200mm intervals

## Walls:

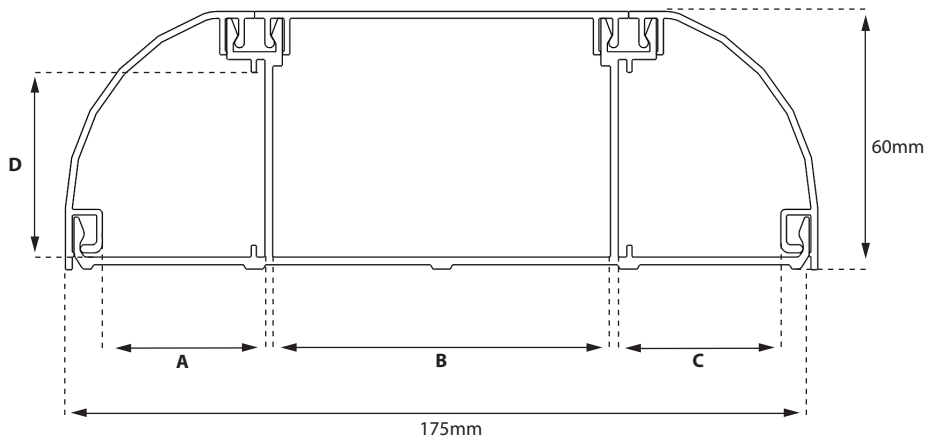
Pre-Punched for wiring at 150mm intervals

## Screening:

ME3SD - Slide in steel screening dividers top and bottom  
ME3SDE - External angle screening divider

# Technical Data Sheet

## Dimensions and Cable Capacities



### Compartment width in (mm)

A	B	C
37.8	78.6	37.8

### Internal Height (mm)

D
43

## Data

DATA CABLE DIAMETER (mm)	NOMINAL CSA (mm <sup>2</sup> )	COMPARTMENT A 2070mm <sup>2</sup>	COMPARTMENT B			COMPARTMENT C 2070mm <sup>2</sup>
			3590mm <sup>2</sup>	3950mm <sup>2</sup> and 25mm box	3590mm <sup>2</sup> and 35mm box	
		45% Fill (928mm <sup>2</sup> )	45% Fill (1615mm <sup>2</sup> )	45% Fill (813mm <sup>2</sup> )	45% Fill (488mm <sup>2</sup> )	45% Fill (928mm <sup>2</sup> )
5	19.6	47	82	41	24	47
5.5	23.8	38	67	34	20	38
6	28.3	32	57	28	27	32
6.5	33.2	28	48	24	14	28
7	38.5	24	41	21	12	24
8	50.3	18	32	16	9	18
9	63.6	14	25	12	7	14
10	78.5	11	20	10	6	11

## Power

POWER CABLE CONDUCTOR CSA (mm <sup>2</sup> )	CABLE FACTOR	COMPARTMENT A 1040mm <sup>2</sup>	COMPARTMENT B			COMPARTMENT C 1040mm <sup>2</sup>
			3590mm <sup>2</sup>	3590mm <sup>2</sup> and 25mm box	3590mm <sup>2</sup> and 35mm box	
		45% Fill (468mm <sup>2</sup> )	45% Fill (1615mm <sup>2</sup> )	45% Fill (813mm <sup>2</sup> )	45% Fill (488mm <sup>2</sup> )	45% Fill (928mm <sup>2</sup> )
1.5	8.6	107	187	98	61	107
2.5	12.6	73	126	67	41	73
4	16.6	55	97	51	31	55
6	21.2	43	76	40	25	43