

# Technical Data Sheet

## Product Code:

MM2  
MMS2

## Product Description:

Mini Trunking - Size 2, standard or self-adhesive



## Product Dimensions:

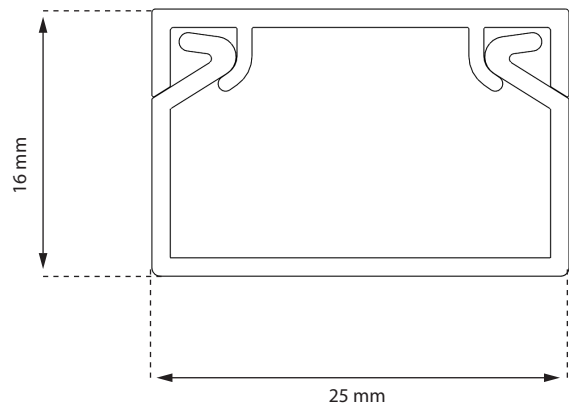
25 x 16 mm profile  
3 metre length

## Applicable Standards:

BS6701 (Telecommunications equipment and cabling)  
ISO/IEC 11801 (ED2.0 Amd 2) (Generic cabling for customers premises)  
ANSI/TIA/EIA 568B (Telecommunication cabling)  
BS4678 Pt 4 (Cable Trunking)  
BS7671 (IEE Regulations) (Wiring Regulations)

## Product Specification:

Description: 1 compartment mini perimeter trunking  
Material Compliance: RoHS & WEEE Compliant  
Manufactured: Extruded from pellets



## Material Specification:(if applicable)

Description: A Calcium/Zinc stabilised, medium/  
high impact uPVC

PROPERTY	Standard	UNITS	VALUE
Density	ISO 1183-1	kg/m <sup>2</sup>	1425
Vicat Softening Point	BS2782 (B50) 1990 120B	°C	75
Tensile Strength @ Yield	BS2782 320A-F	MPa	48.5
Elongation at break	ISO R527	%	40
Flexural Strength	ISO 178	MPa	67
Flexural Modulus	ISO 178	GPa	2.5
Izod Impat Strength @ 23°C	ISO 180	KJ/m <sup>2</sup>	9
Melt Flow Index	ASTM D1238	g/10min	45

The above are typical test results and do not constitute any part of a specification

## Colours:

MM2 - Pure White

## Additional Features:

MMS2 - Self adhesive