

Technical Data Sheet

Product Code

MTPP1

Product Description

Power post, aluminium body, uPVC lids

Product Dimensions

100 x 100 mm Profile

0.65 Metre Length

Applicable Standards:

BS6701 (Telecommunications equipment and cabling)
ISO/IEC 11801 (ED2.0 Amd 2) (Generic cabling for customers premises)
Genlec (BSEN50173 Part 1/2, BSEN50174-2) (Generic cabling and installation)
BS4678 Pt 4 (Cable Trunking)
BS7671 (IEE Regulations) (Wiring Regulations)

Product Specification:

Description: Aluminium power post
Material Compliance: RoHS & WEEE Compliant
Manufactured: Extruded Aluminium

Material Specification:(if applicable)

Aluminium Alloy EN-AW 6063

Cu	Si	Mn	Fe	Mg	Cr	Zn	Ti	Others		Al
								Each	Total	
0.10%	0.2-0.6%	0.10%	0.35%	0.45-0.9%	0.10%	0.10%	0.10%	0.05%	0.15%	Rest

Yield Strength	130 MPa
Tensile Strength	175 MPa
Elongation	8%

The above are typical test results and do not constitute any part of a specification

Colours:

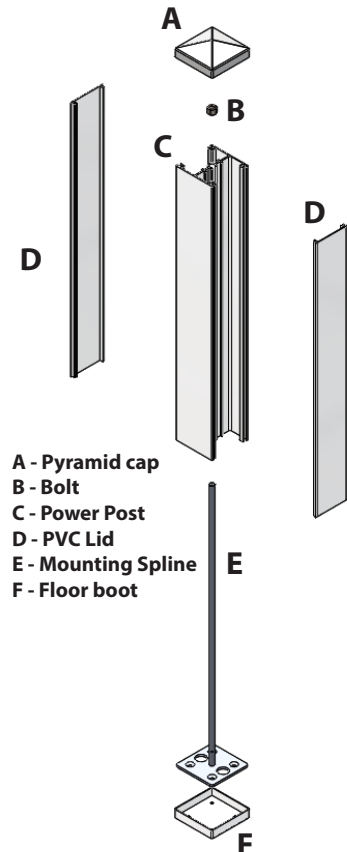
MTPP1 - Aluminium body, uPVC lids
MTPP1W - White coated aluminium body, uPVC lids

Screening:

MTD105 - Slide in UPVC divider

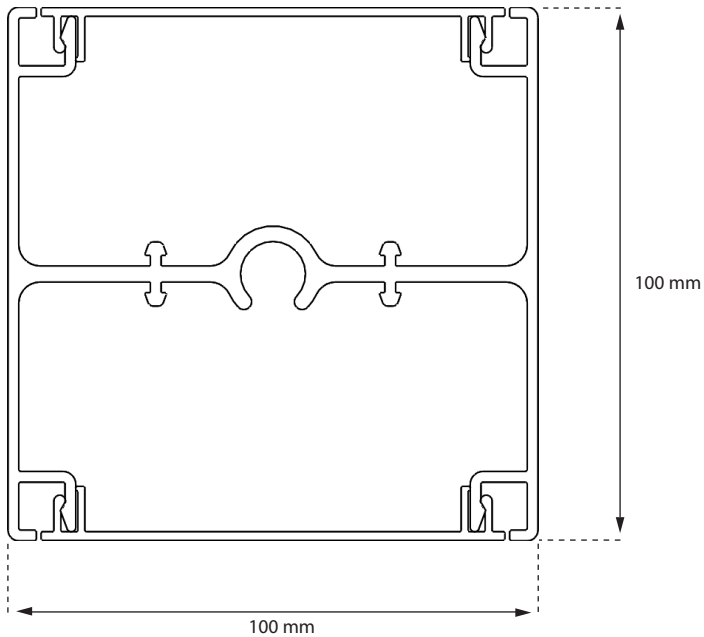
Provided Accesories:

MTPFB - Floor boot



Technical Data Sheet

Dimensions and Cable Capacities



Data

DATA CABLE DIAMETER (mm)	NOMINAL CSA (mm ²)	COMPARTMENT A		
		4120 mm ²	4116 mm ² and 25mm back box (2420 mm ²)	4116 mm ² and 35mm back box (1700 mm ²)
		45% Fill (1852 mm ²)	45% Fill (1309 mm ²)	45% Fill (765 mm ²)
5	19.6	94	54	38
5.5	23.8	77	45	31
6	28.3	65	38	26
6.5	33.2	55	32	22
7	38.5	48	27	19

Power

POWER CABLE CONDUCTOR CSA (mm ²)	CABLE FACTOR	COMPARTMENT A		
		4120 mm ²	4609mm ² and 25mm back box (2420 mm ²)	4116 mm ² and 35mm back box (1700 mm ²)
		45% Fill (1852mm ²)	45% Fill (1089mm ²)	45% Fill (765mm ²)
1.5	8.6	215	125	87
2.5	12.6	146	85	59
4	16.6	111	64	45
6	21.2	87	50	35